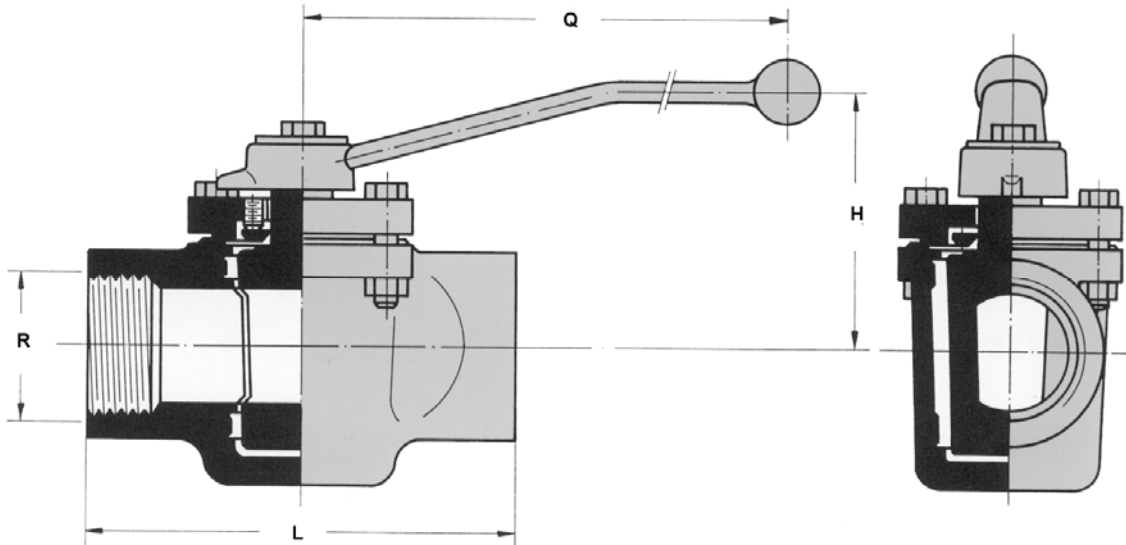


## Technische Dokumentation Technical Documentation

### **TUFLIN® Two-Way Plug Valves Screwed ends**

Type 126 DIN PN 10 - 40      Whitworth R\* (PN 63 - 100 on request)  
 Type 066 ANSI Class 150      NPT  
 Type 0366 ANSI Class 300      NPT  
 Type 0666 ANSI Class 600      NPT



### Dimensions in mm

DN	R			L	H	Q	Approx. Weight in kg
	NPS	NPS 126	NPS 066-0366-0666				
15	1/2	R 1/2 *	1/2 NPT	85	76	180	1.1
20	3/4	R 3/4 *	3/4 NPT	85	76	180	1.0
25	1	R 1 *	1 NPT	118	96	260	2.5
40	1 1/2	R 1 1/2 *	1 1/2 NPT	140	106	362	3.9
50	2	R 2 *	2 NPT	165	118	435	6.1
80	3	R 3 *	3 NPT	220	132	435	9.5

\* Whitworth R = BSPT

Other sizes on request.

Crane Co., and its subsidiaries cannot accept responsibility for possible errors in catalogues, brochures, other printed materials, and website information. Crane Co. reserves the right to alter its products without notice, including products already on order provided that such alteration can be made without changes being necessary in specifications already agreed. All their trademarks in this material are property of the Crane Co. or its subsidiaries. The Crane and Crane brands logotype are registered trademarks of Crane Co. All rights reserved.