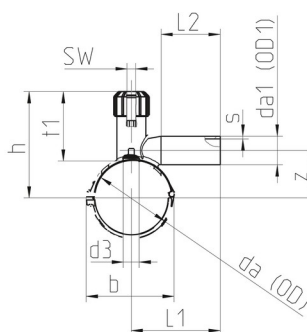


## UREL-A

### Elektroanboring m/kniv

PE100 Elektroanboring m/kniv for elektromuffesveising og anboring på rør under trykk.  
OBS! Ikke anbor før hele kjøletiden har gått.

- Sadel med innebygd belte
- Vann PN16 SDR11
- Gass PN 10



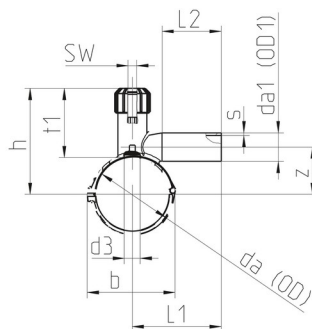
| Artikkelnr     | NRF     | da(OD) | da1(OD1) | d3 | SDR   | b    | h     | L1  | L2  | Z     |
|----------------|---------|--------|----------|----|-------|------|-------|-----|-----|-------|
| UREL-A 040-020 | 2452243 | 40     | 20.0     | 16 | 17-11 | 71.5 | 103.0 | 100 | 78  | 36    |
| UREL-A 040-032 | 2452211 | 40     | 32.0     | 16 | 17-11 | 71.5 | 103.0 | 110 | 89  | 36    |
| UREL-A 063-020 | 2452212 | 63     | 20.0     | 26 | 17-11 | 99   | 169.5 | 120 | 78  | 60    |
| UREL-A 063-025 |         | 63     | 25       | 26 | 17-11 | 99   | 169.5 | 120 | 189 | 58    |
| UREL-A 063-032 | 2452213 | 63     | 32.0     | 26 | 17-11 | 99   | 169.5 | 129 | 92  | 57    |
| UREL-A 063-040 | 2452214 | 63     | 40.0     | 26 | 17-11 | 99   | 169.5 | 141 | 102 | 58.5  |
| UREL-A 063-063 | 2452215 | 63     | 63.0     | 26 | 17-11 | 99   | 169.5 | 178 | 130 | 60    |
| UREL-A 090-032 | 2452216 | 90     | 32.0     | 32 | 17-11 | 128  | 196.5 | 130 | 92  | 67    |
| UREL-A 090-063 | 2452217 | 90     | 63.0     | 32 | 17-11 | 128  | 196.5 | 184 | 130 | 67    |
| UREL-A 110-020 | 2452218 | 110    | 20.0     | 32 | 17-11 | 149  | 206.5 | 120 | 78  | 76    |
| UREL-A 110-025 | 2453067 | 110    | 25.0     | 32 | 17-11 | 149  | 206.5 | 125 | 89  | 76    |
| UREL-A 110-032 | 2452219 | 110    | 32.0     | 32 | 17-11 | 149  | 206.5 | 131 | 95  | 76    |
| UREL-A 110-040 | 2452244 | 110    | 40.0     | 32 | 17-11 | 149  | 206.5 | 151 | 102 | 76    |
| UREL-A 110-063 | 2452221 | 110    | 63.0     | 32 | 17-11 | 149  | 206.5 | 185 | 130 | 82.5  |
| UREL-A 125-032 | 2452223 | 125    | 32.0     | 32 | 17-11 | 166  | 214.0 | 131 | 95  | 82    |
| UREL-A 125-063 | 2452225 | 125    | 63.0     | 32 | 17-11 | 166  | 214.0 | 185 | 130 | 82    |
| UREL-A 160-020 | 2452226 | 160    | 20.0     | 32 | 17-11 | 204  | 231.5 | 121 | 78  | 98.5  |
| UREL-A 160-032 | 2452227 | 160    | 32.0     | 32 | 17-11 | 204  | 231.5 | 130 | 92  | 99    |
| UREL-A 160-063 | 2452229 | 160    | 63.0     | 32 | 17-11 | 204  | 231.5 | 198 | 130 | 102.5 |
| UREL-A 180-032 | 2454526 | 180    | 32.0     | 32 | 17-11 | 220  | 241.5 | 130 | 95  | 115   |
| UREL-A 180-063 | 2454528 | 180    | 63.0     | 32 | 17-11 | 220  | 241.5 | 198 | 130 | 115   |
| UREL-A 200-032 | 2452231 | 200    | 32.0     | 32 | 17-11 | 253  | 251.5 | 130 | 95  | 118   |
| UREL-A 200-063 | 2452233 | 200    | 63.0     | 32 | 17-11 | 253  | 251.5 | 198 | 130 | 122   |

Med forbehold om konstruksjonsendringer og tekniske endringer. Kan endres uten varsel.

[gpa.no](http://gpa.no) | [info@gpa.no](mailto:info@gpa.no) | +47 64 85 68 00

## UREL-A

Elektroanboring m/kniv



| Artikkelnr     | NRF     | da(OD) | da1(OD1) | d3 | SDR   | b     | h     | L1  | L2  | Z     |
|----------------|---------|--------|----------|----|-------|-------|-------|-----|-----|-------|
| UREL-A 225-032 | 2452234 | 225    | 32.0     | 32 | 17-11 | 275   | 297.0 | 130 | 92  | 138.5 |
| UREL-A 225-063 | 2451441 | 225    | 63.0     | 32 | 17-11 | 275   | 297.0 | 207 | 130 | 138.5 |
| UREL-A 250-032 |         | 250    | 32       | 32 | 17-11 | 265.5 | 297   | 207 | 130 | 151   |
| UREL-A 250-063 |         | 250    | 63       | 32 | 17-11 | 265.5 | 297   | 207 | 130 | 151   |
| UREL-A 315-063 | 2453073 | 315    | 63.0     | 32 | 17-11 | 390   | 342   | 215 | 130 | 181.5 |
| UREL-A-N       | 9518776 | -      | -        | -  |       | -     | -     | -   | -   | -     |